

reversible motor - series XV

XV-1M

BH TYPE MOTOR
ø32 BODY-SHAPED FLANGE - MILLED SHANK

X 1 M 25 25 D B B E

| | | |
|--------------|-----|----------------------------------|
| Series | X | series XV |
| Group | 1 | group 1 |
| Category | M | reversible motor |
| Displacement | 25 | 3.8 |
| Flange | 25 | ø32 BH reversible rotation |
| Shaft | D | CF002 - Milled shank ø10 - thk.5 |
| Body | IN | inlet - 3/8" GAS |
| | OUT | outlet - 3/8" GAS |
| Cover | E | with drainage 1/4" BSP |



XM119

Technical data table

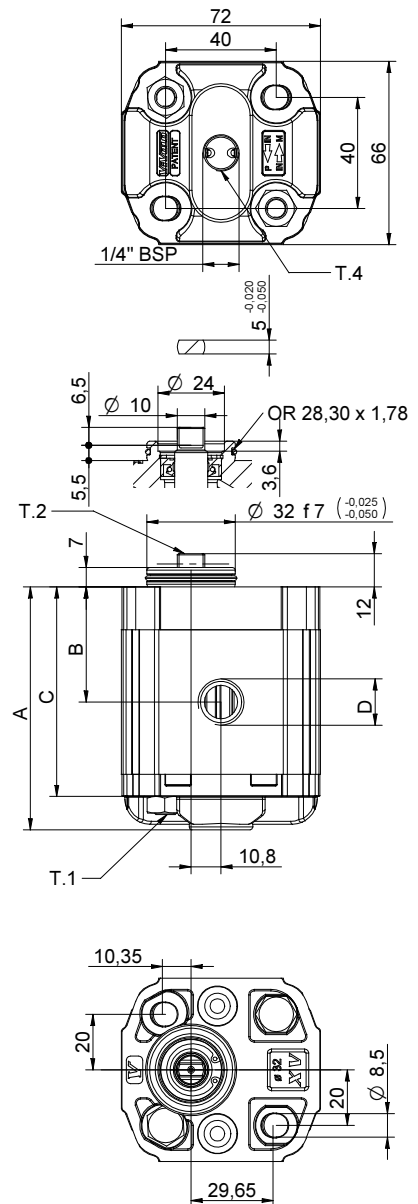
| TYPE | Displacement cm3/rev | Max. Pressure | | CODE | |
|-----------|-------------------------|---------------|--------|---------------------|---------------------|
| | | P1 bar | P3 bar | External drainage | Internal drainage |
| XV-1M/0.9 | 0,91 | 240 | 280 | X 1 M 16 25 D B B E | X 1 M 16 25 D B B F |
| XV-1M/1.2 | 1,17 | 250 | 290 | X 1 M 17 25 D B B E | X 1 M 17 25 D B B F |
| XV-1M/1.7 | 1,56 | 250 | 290 | X 1 M 18 25 D B B E | X 1 M 18 25 D B B F |
| XV-1M/2.2 | 2,08 | 250 | 290 | X 1 M 20 25 D B B E | X 1 M 20 25 D B B F |
| XV-1M/2.6 | 2,60 | 250 | 300 | X 1 M 21 25 D B B E | X 1 M 21 25 D B B F |
| XV-1M/3.2 | 3,12 | 250 | 300 | X 1 M 23 25 D B B E | X 1 M 23 25 D B B F |
| XV-1M/3.8 | 3,64 | 250 | 300 | X 1 M 25 25 D B B E | X 1 M 25 25 D B B F |
| XV-1M/4.3 | 4,16 | 250 | 300 | X 1 M 27 25 D B B E | X 1 M 27 25 D B B F |
| XV-1M/4.9 | 4,94 | 250 | 300 | X 1 M 29 25 D B B E | X 1 M 29 25 D B B F |
| XV-1M/5.9 | 5,85 | 250 | 300 | X 1 M 31 25 D B B E | X 1 M 31 25 D B B F |
| XV-1M/6.5 | 6,50 | 250 | 300 | X 1 M 32 25 D B B E | X 1 M 32 25 D B B F |
| XV-1M/7.8 | 7,54 | 220 | 260 | X 1 M 34 25 D B B E | X 1 M 34 25 D B B F |
| XV-1M/9.8 | 9,88 | 190 | 230 | X 1 M 36 25 D B B E | X 1 M 36 25 D B B F |

P1) Max. working pressure - P3) Max. peak pressure

For heavy-duty applications, it is recommended to check the admissible torque of the shaft

Dimensions table

| TYPE | Weight kg | A | B | C | D | |
|-----------|--------------|-------|------|------|-----------|-----------|
| | | mm | mm | mm | IN | OUT |
| XV-1M/0.9 | 0,950 | 77,1 | 36,3 | 65,1 | 3/8" BSPP | 3/8" BSPP |
| XV-1M/1.2 | 0,970 | 78,0 | 36,8 | 66,0 | 3/8" BSPP | 3/8" BSPP |
| XV-1M/1.7 | 1,010 | 79,5 | 37,5 | 67,5 | 3/8" BSPP | 3/8" BSPP |
| XV-1M/2.2 | 1,030 | 81,5 | 38,5 | 69,5 | 3/8" BSPP | 3/8" BSPP |
| XV-1M/2.6 | 1,060 | 83,5 | 39,5 | 71,5 | 3/8" BSPP | 3/8" BSPP |
| XV-1M/3.2 | 1,090 | 85,5 | 40,5 | 73,5 | 3/8" BSPP | 3/8" BSPP |
| XV-1M/3.8 | 1,120 | 87,5 | 41,5 | 75,5 | 3/8" BSPP | 3/8" BSPP |
| XV-1M/4.3 | 1,170 | 89,5 | 42,5 | 77,5 | 3/8" BSPP | 3/8" BSPP |
| XV-1M/4.9 | 1,200 | 92,5 | 44,0 | 80,5 | 3/8" BSPP | 3/8" BSPP |
| XV-1M/5.9 | 1,260 | 96,0 | 45,8 | 84,0 | 3/8" BSPP | 3/8" BSPP |
| XV-1M/6.5 | 1,300 | 97,5 | 47,0 | 85,5 | 3/8" BSPP | 3/8" BSPP |
| XV-1M/7.8 | 1,360 | 102,5 | 49,0 | 90,5 | 3/8" BSPP | 3/8" BSPP |
| XV-1M/9.8 | 1,500 | 111,5 | 53,5 | 99,5 | 3/8" BSPP | 3/8" BSPP |



26/08/04 X1R25Z5DBBE.dft

T.1 = 24.5÷29.4 [Nm] - screw tightening torque M8

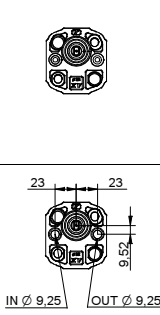
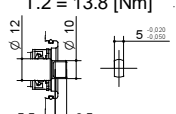
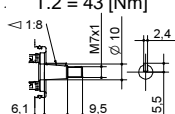
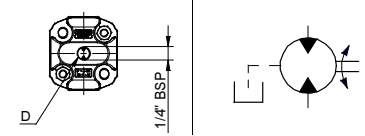
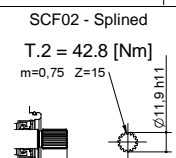
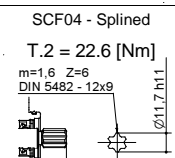
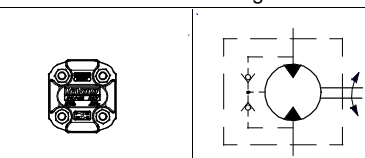
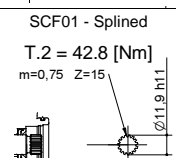
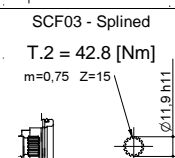
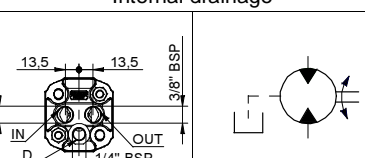
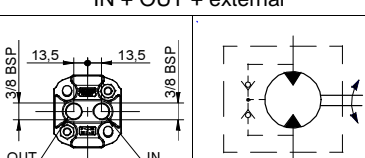
T.2 = 13.8 [Nm] - admissible shaft torque (N.B. When choosing a shaft, always check the admissible torque).

T.4 = 0.3÷0.5 bar - max. drainage pressure

Table of variations

XV-1M

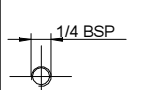
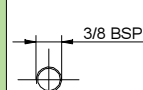
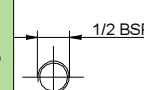
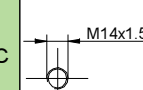
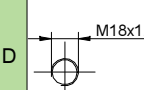
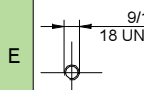
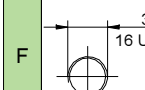
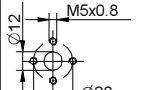
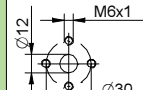
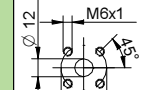

ø32 "BH" Body-Shaped FLANGE

| ø32 "BH" Body-Shaped FLANGE | | Shaft | | | | Cover | |
|-----------------------------------------------------------------------------------|----|----------------------------------------------------------------------------------------------------------------------------------------|---|---------------------------------------------------------------------------------------------------------------------------------------------------------|---|-------------------------------------------------------------------------------------------------------------|---|
|  | 25 | CF002 - Milled shank T.2 = 13.8 [Nm]  | D | CO001 - Tapered T.2 = 43 [Nm]  | F |  External drainage | E |
| | 28 | SCF02 - Splined T.2 = 42.8 [Nm] m=0,75 Z=15  | L | SCF04 - Splined T.2 = 22.6 [Nm] m=1,6 Z=6 DIN 5482 - 12x9  | J |  Internal drainage | F |
| | | SCF01 - Splined T.2 = 42.8 [Nm] m=0,75 Z=15  | Q | SCF03 - Splined T.2 = 42.8 [Nm] m=0,75 Z=15  | R |  IN + OUT + external | K |
| | | | | | |  IN + OUT + internal | L |

| Displacement | |
|--------------|------|
| TYPE | CODE |
| XV-1M/0.9 | 16 |
| XV-1M/1.2 | 17 |
| XV-1M/1.7 | 18 |
| XV-1M/2.2 | 20 |
| XV-1M/2.6 | 21 |
| XV-1M/3.2 | 23 |
| XV-1M/3.8 | 25 |
| XV-1M/4.3 | 27 |
| XV-1M/4.9 | 29 |
| XV-1M/5.9 | 31 |
| XV-1M/6.5 | 32 |
| XV-1M/7.8 | 34 |
| XV-1M/9.8 | 36 |

| Standard bodies | | | | | |
|----------------------|------------------|-------|-------|-------|-------|
| Displacement cm3/rev | Standard threads | | | | |
| | 0.9 | I - I | B - B | J - J | Z - Z |
| 1.2 | I - I | B - B | J - J | Z - Z | |
| 1.7 | I - I | B - B | J - J | Z - Z | |
| 2.2 | I - I | B - B | J - J | Z - Z | |
| 2.6 | I - I | B - B | J - J | Z - Z | |
| 3.2 | I - I | B - B | J - J | Z - Z | |
| 3.8 | I - I | B - B | J - J | Z - Z | |
| 4.3 | I - I | B - B | J - J | Z - Z | |
| 4.9 | I - I | B - B | J - J | Z - Z | |
| 5.9 | I - I | B - B | J - J | Z - Z | |
| 6.5 | I - I | B - B | J - J | Z - Z | |
| 7.8 | I - I | B - B | J - J | Z - Z | |
| 9.8 | I - I | B - B | J - J | Z - Z | |

Table showing standard flange and thread combinations available in stock

| Body (threads/flanges) | | | | | | |
|-----------------------------------------------------------------------------------------|------------------------------------------------------------------------------------------|------------------------------------------------------------------------------------------|------------------------------------------------------------------------------------------|-------------------------------------------------------------------------------------------|--------------------------------------------------------------------------------------------|--------------------------------------------------------------------------------------------|
|  A |  B |  C |  D |  E |  F |  G |
|  H |  I |  J | Closed Body |  Z | | |